

Product: TASK DESKS

P016 Pianeti is a range of desks with Aluminium structure, that can be combined in single seat or multiple seats bench. The worktop, 25 mm thick (1"), has "Ergo" edges and it is available in different geometrical shapes.

Pianeti desks have also soundproof screen panels upholstered in fabric with standard or LED touch lighting system.

TECHNICAL FEATURES

Leg and extrusion connector:

The leg consists of a symmetrical couple of die-cast solid profiles connected each other by an elliptical extrusion. Legs have adjustable feet with non-slip rubber caps for support. They are available in the following finishes: Glossy White Snow, Titanio, Chromed. Elliptical extrusion connector available in the same finishes as the legs.

Under-top support structures:

40x20 mm Steel profiles, th. 2 mm, WHITE varnished (for Glossy White Snow legs structure) or TITANIO varnished (for Titanio or Chromed legs structure).

Structure junctions and connection elements:

Not visible, in die-cast Aluminium.

Tops:

G90 tops: tops are made in 25 mm thick (1") chipboard panels with antiscratch and anti-reflect melamine surfaces; tops are edged in 2,5 mm thick PVC. Tops are also available in Laminated finish. Corners are at 90° for Melamine and for Laminate tops.

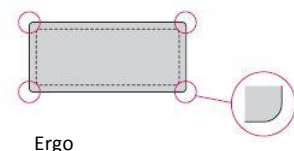
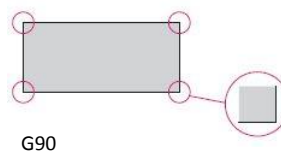
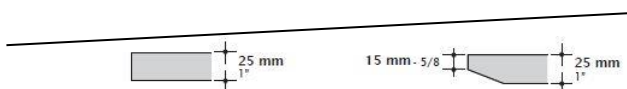
Ergo tops: tops are made in 25 mm thick (1") chipboard panels with antiscratch and anti-reflect melamine surfaces; tops are edged in 2,5 mm thick PVC with rounded corners. Top available in White Snow, Fenix Laminated and Veneer finish. Worktop corners in Ergo Laminate are rounded (radius 50).

Electrification:

Under-top Steel mesh with round section, WHITE varnished (for Glossy White Snow legs structure) or TITANIO varnished (for Titanio or Chromed legs structure). Top Access dimensions cm 29x15, in the same finish as the top and with WHITE or TITANIO profiles.

CERTIFICATIONS

UNI EN 527-1 Dimensions requirements
UNI EN 527-2 Safety, strenght and durability requirements



FINISHES

Tops:

G90 Melamine: UE White, Silver, Titanio, Delavè, Comfort, Magnolia, Oak 2017, Eucalyptus, White Colour Fir.

G90 Laminate: White Snow.

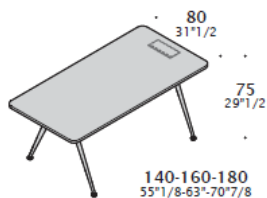
Ergo Laminate: White Snow, White Fenix; Wood veneer available only for sharing-meeting tables.

Structures: Glossy White Snow, matt Titanio, Chromed.

Screen panels: Smart Office - Fabric cat. B, F, G, L.

P016 FREESTANDING - All the compositions: H 75 cm worktop

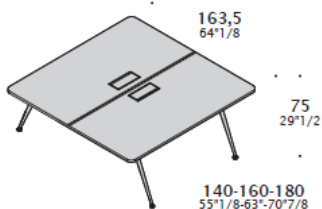
SINGLE DESK



Options - D 80 and H 75 available with:
W 140 - 160 - 180

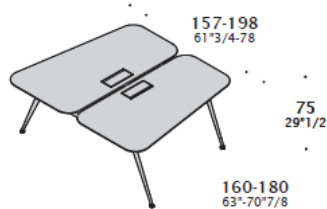
2 seats BENCH

Rectangular top.



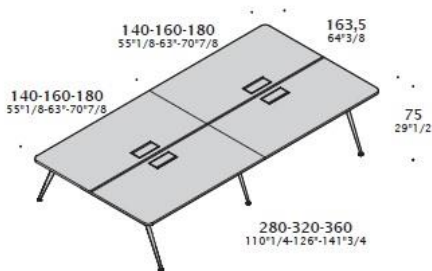
Options - D 163,5 and H 75 available with:
W 140 - 160 - 180

Trapezoid top.



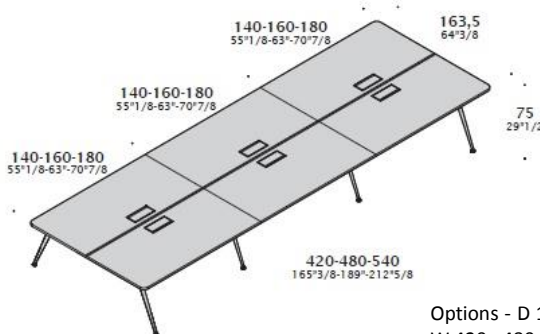
Options - D 157/198 and H 75 available with:
W 160 - 180

4 seats BENCH



Options - D 163,5 and H 75 available with:
W 280 - 320 - 360

6 seats BENCH



Options - D 163,5 and H 75 available with:
W 420 - 480 - 540

3 - 6 seats HEXAGONAL BENCH

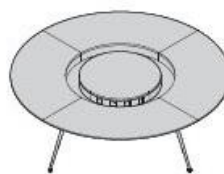


Options:
W 170 (66 7/8) x D 196 (77 1/8)
W 210 (82 5/8) x D 242 (95 1/4)

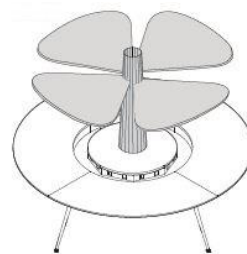


Options:
W 419 (165")
D 242 (95 1/4)

SHARING - MEETING tables



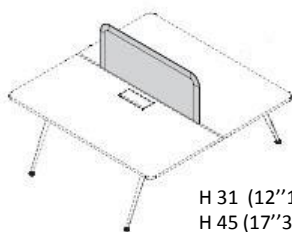
Φ 160 - 200 - 240
(Φ 63'' - 78 3/4'' - 94 1/2'')



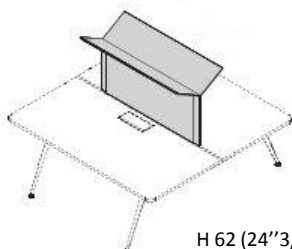
Baobab Φ 160-200-240
(Φ 63'' - 78 3/4'' - 94 1/2'')

Baobab: The central column is always in Oak veneer and the petals are always in soundproof fabric with integrated LED.

Screen panels in fabric



H 31 (12 1/4)
H 45 (17 3/4)

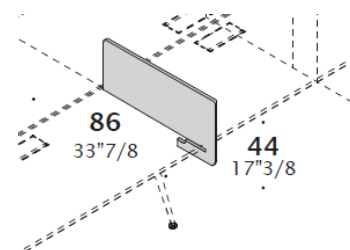


H 62 (24 3/8)

Modesty Panel



Side screen panel with hook



86
33 7/8
44
17 3/8

FRATTALE

Pianeti Cartesio - Frattale is a storage unit system that is used in composition with *P016* desks, also with top support function. Top and bottom panels are in 30 mm thick chipboard, while dividing panels, side panels, drawers, doors and back panels are in 18 mm thick chipboard.

The worktop is fixed to the storage unit top.

“*Frattale*” is 50 cm depth, “*Cartesio*” is 85 cm depth.

Both versions have drawers, top access and technical compartment for electrification. They are available with open front compartments or door. One of the main features is the wiring system integrated in the storage unit.

In composition with storage units one next the other, the wiring system goes through the storage units themselves in specific technical compartments which have removable fronts for cables inspection.

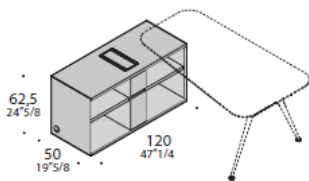
On the storage units, soundproof screen panels in fabric can be installed (they are in soundproof fabric). Unique geometrical compositions can be created by using two or three ways connectors that allow to link several storage units.



All compositions D 50 cm - H 62,5 cm

Bases

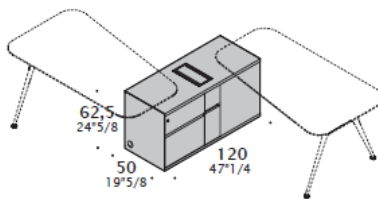
W 120 x D 50 x H 62,5



Open front compartments.

Two-faces bases

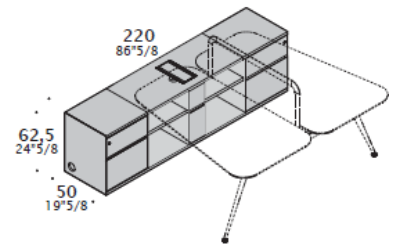
W 120 x D 50 x H 62,5



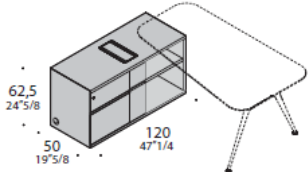
2 drawers + 2 drawer cabinets.

Bases for 2 seats bench

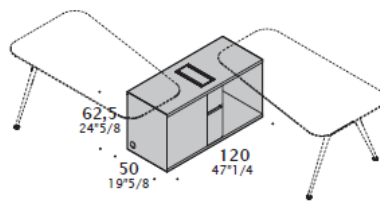
W 220 x D 50 x H 62,5



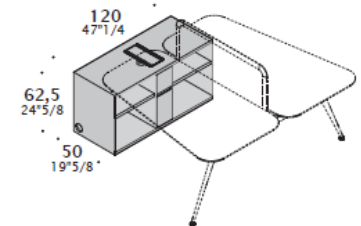
W 120 x D 50 x H 62,5



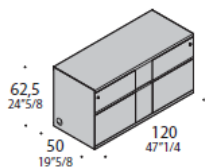
Open front compartment + drawer + drawer cabinet.



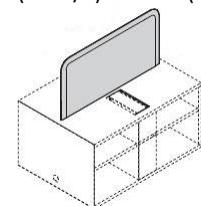
Open front compartments.



Screen panel for storage unit
W 110 (43 1/4) x H 55 (21 5/8)



2 drawers + 2 drawer cabinets.



FRATTALE - FINISHES

Tops:

G90 Melamine: White UE, Silver, Titanio, Delavè, Comfort, Magnolia, Oak 2017, Eucalyptus, White Colour Fir.

G90 Laminate: White Snow.

Ergo Laminate: White Snow, White Fenix.

Storage units: Melamine, Sablè lacquered.

Structures: glossy White Snow, matt Titanio, Chromed.

Screen panels: Smart Office - Fabric cat. B, F, G, L

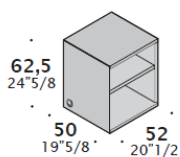
Sit&Stand tops:

Melamine, see fixed top finishes.

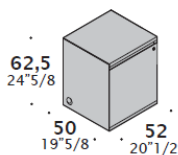
Sablè lacquered, available in different sample collection colours.

Ceramic: Calacatta Soft, Calacatta Glossy, Statuario Soft, Statuario Glossy, Walks 1.0 White, Walks 1.0 Gray, Le Roche Ecrù, Ardoise Ecrù, Ardoise Noir, Nore Marquinia, Le Roche Grey, Industrial Ivory, Industrial Plomb.

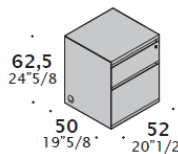
W 52 Bases



Open front compartment.

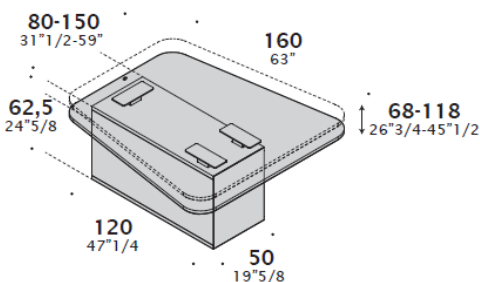


Hinged door.

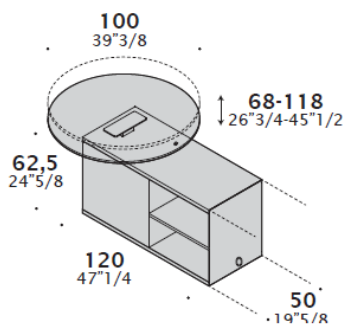


Drawer + drawer cabinet.

Bases for Sit&Stand tops

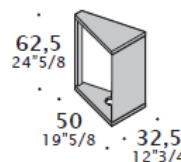


Base: 120 x 50 - H 62,5 / Top: 80-150 x 160
Height top adjustment: from 68 to 118 cm
(H from the floor)

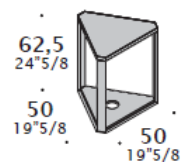


Base: 120x50 - H62,5 / Top: Ø 100

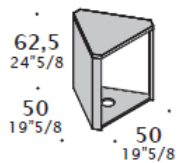
Connectors



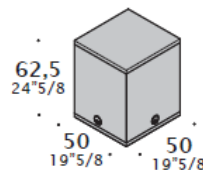
Two-ways connector.



Three-ways connector.



Three-ways connector with one side panel.

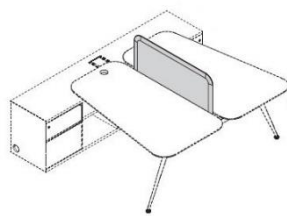


Four-ways connector.

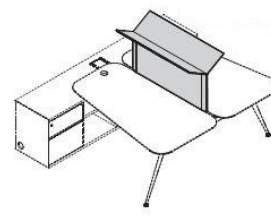
Modesty panel



Screen panels for desk



H 45 (17 3/4)



H 62 (24 3/8)

CARTESIO

Pianeti Cartesio - Frattale is a storage unit system that is used in composition with *P016* desks, also with top support function. Top and bottom panels are in 30 mm thick chipboard, while dividing panels, side panels, drawers, doors and back panels are in 18 mm thick chipboard.

The worktop is fixed to the storage unit top.

“*Frattale*” is 50 cm depth, “*Cartesio*” is 85 cm depth.

Both versions have drawers, top access and technical compartment for electrification. They are available with open front compartments or door. One of the main features is the wiring system integrated in the storage unit.

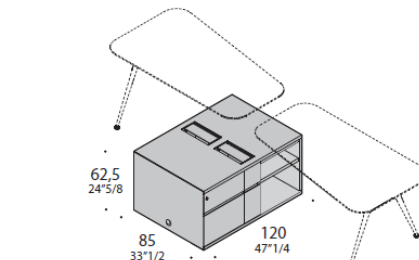
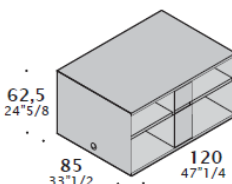
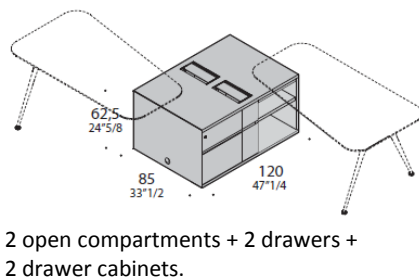
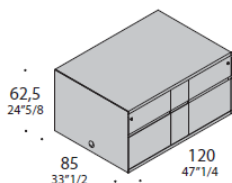
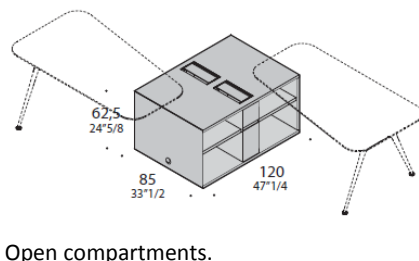
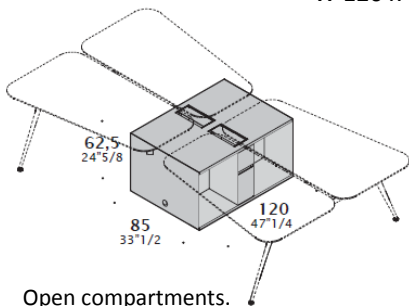
In composition with storage units one next the other, the wiring system goes through the storage units themselves in specific technical compartments which have removable fronts for cables inspection.

On the storage units, soundproof screen panels in fabric can be installed (they are in soundproof fabric). Unique geometrical compositions can be created by using two or three ways connectors that allow to link several storage units.

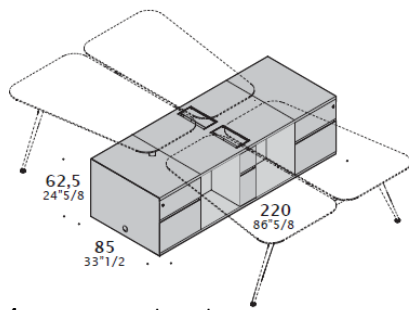
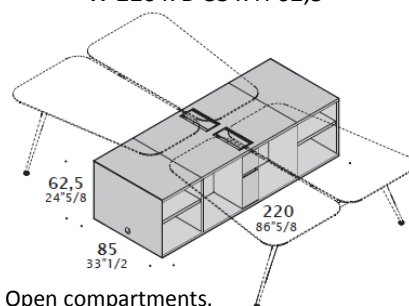


All the compositions: D 85 cm - H 62,5 cm

Bases
W 120 x D 85 x H 62,5



Bases
W 220 x D 85 x H 62,5



CARTESIO - FINISHES

Tops:

G90 Melamine: UE White, Silver, Titanio, Delavè, Comfort, Magnolia, Oak 2017, Eucalyptus, White Colour Fir.

G90 Laminate: White Snow.

Ergo Laminate: White Snow, White Fenix.

Storage units:

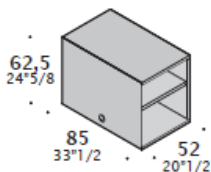
Melamine: UE White, Silver, Titanio, Delavè, Comfort, White Snow, Magnolia, Oak 2017, Eucalyptus, White Colour Fir.

Sablè lacquered, available in different sample collection colours.

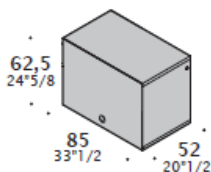
Structures: Glossy White Snow, matt Titanio, Chromed.

Screen panels: Smart Office - Fabric cat. B, F, G, L.

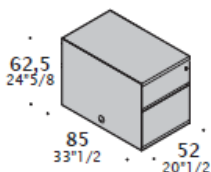
W 52 Bases



Open front compartments.

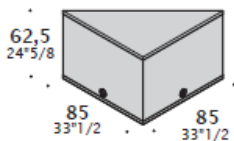


Hinged door.

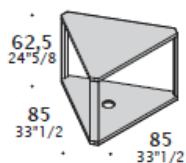


Drawer + drawer cabinet.

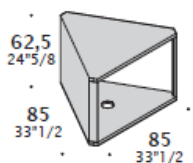
Connectors



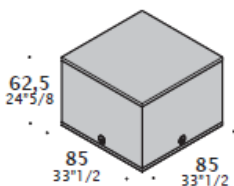
Two-ways connector.



Three-ways connector.

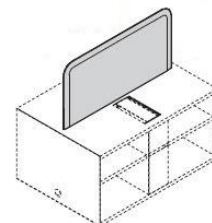


Three-ways connector with one side panel.

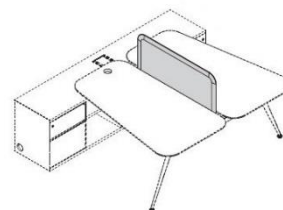


Four-ways connector.

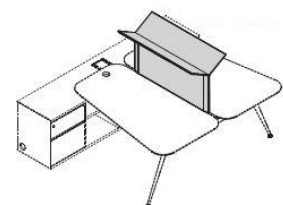
Screen panels for storage unit
W 110 (43 1/4) x H 55 (21 5/8)



Screen panel for desk



H 45 (17 3/4) - for desk



H 62 (24 3/8)

TOP FLY

I Pianeti - Top Fly is a range on W30 storage units, with 80/163 cm depth, that are used in composition with *P016* desks, also with top support function. They are available with drawers or filing cabinet (and with doors).

The wiring system goes through specific technical compartments which have removable fronts for cables inspection.

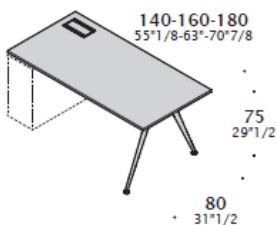
The top access on the table allows to connect electrical devices and to have access to the technical compartment.

One of the main features is the wiring system integrated in the storage unit in order to avoid cable tray installation under the top.



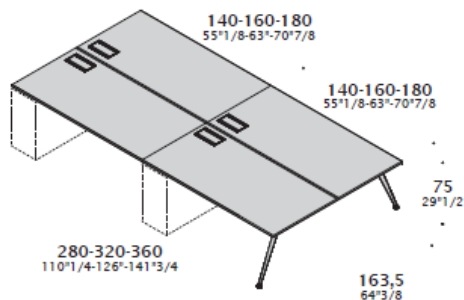
All the compositions: H 75 cm

SINGLE DESK



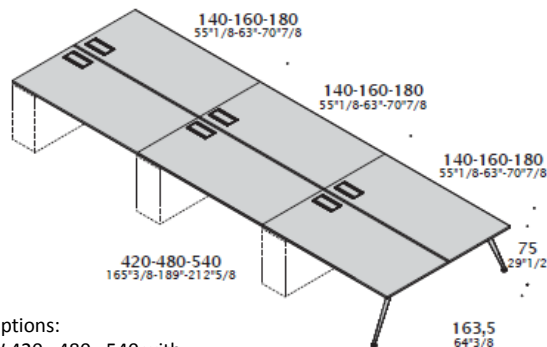
Options:
W 140 - 160 - 180 with
D 80 - H 75

4 seats BENCH



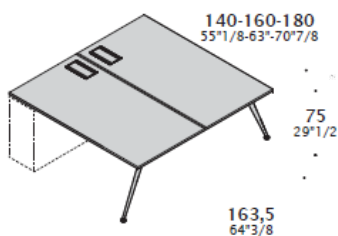
Options:
W 280 - 320 - 360 with
D 163,5 - H 75

6 seats BENCH



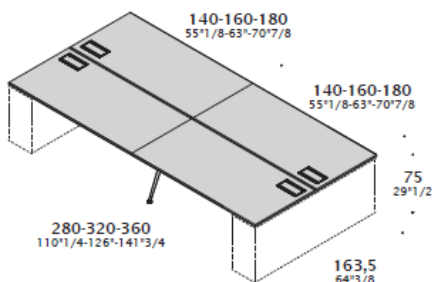
Options:
W 420 - 480 - 540 with
D 163,5 - H 75

2 seats BENCH



Options:
W 140 - 160 - 180 with D 163,5 - H 75

4 seats BENCH



Options:
W 280 - 320 - 360 with D 163,5 - H 75

FINISHES

Tops:

G90 Melamine: UE White, Silver, Titanio, Delavè, Comfort, Magnolia, Oak 2017, Eucalyptus, White Colour Fir.

G90 Laminate: White Snow, White Fenix.

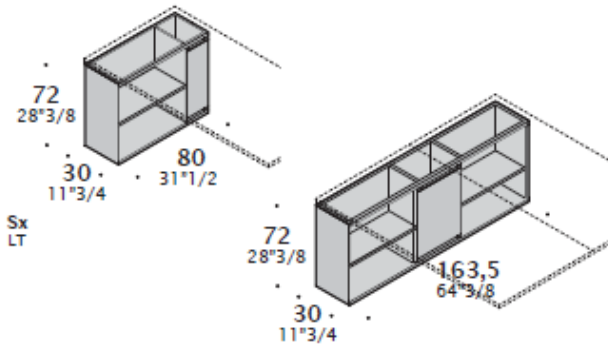
Storage units: Melamine, Sablè lacquered.

Structures: Glossy White Snow, matt Titanio, Chromed.

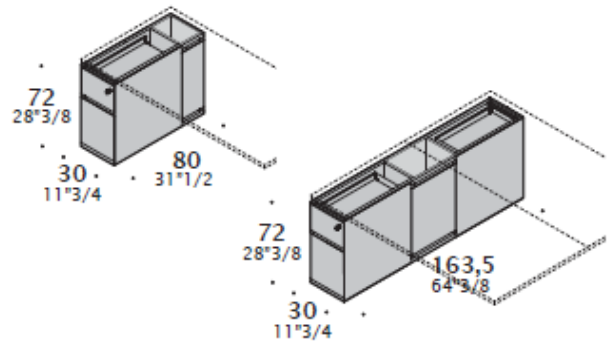
Screen panels: Smart Office - Fabric cat. B, F, G, L.

TOP FLY

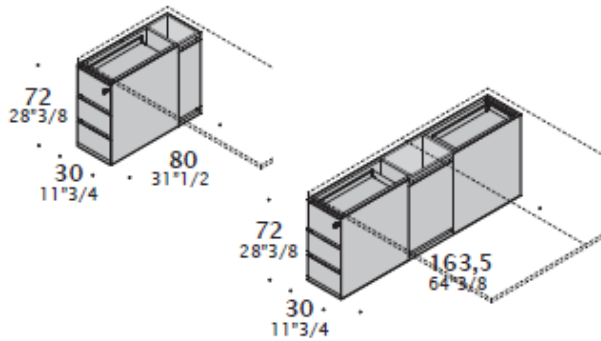
Bases



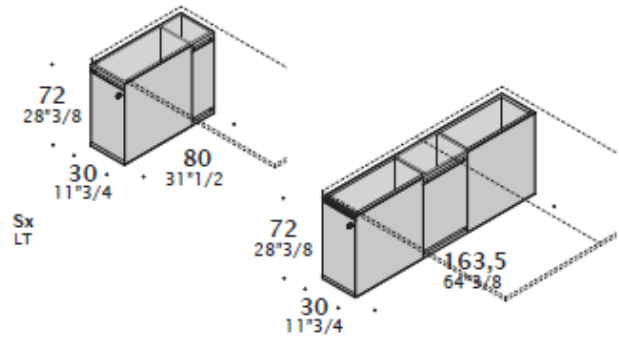
Open front storage unit with technical compartment.



Base with 1 drawer, 1 drawer cabinet and technical compartment.

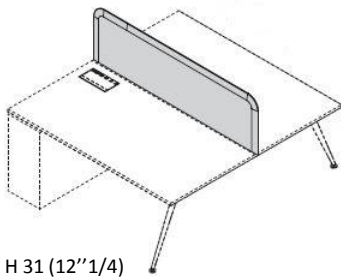


Base with 3 drawers and technical compartment.

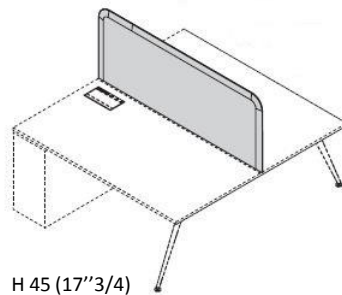


Base storage unit with hinged door and technical compartment.

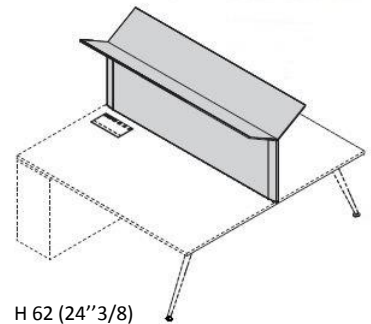
Screen panels



H 31 (12"1/4)

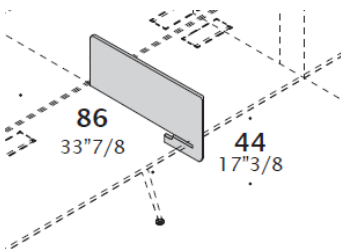


H 45 (17"3/4)



H 62 (24"3/8)

Side screen panel with hook



JOINT

I Pianeti - Joint is a range of W30 storage units, with 80/163 cm depth and 117 cm height that are used in composition with *P016* desks, also with top support function.

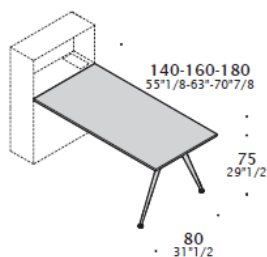
Storage units, that link the benches, are available with drawers or filing cabinet and with doors. The wiring system goes through specific technical compartments which have removable fronts for cables inspection.

The top access on the H74 storage unit top, allows to connect electrical devices and to have access to the technical compartment integrated in the storage. One of the main features is the wiring system integrated in the storage unit in order to avoid cable tray installation under the top.



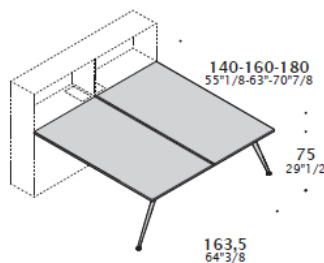
All the composition:
Worktop H 75 cm
Joint unit storage H 117 cm – W 30 cm

SINGLE DESK



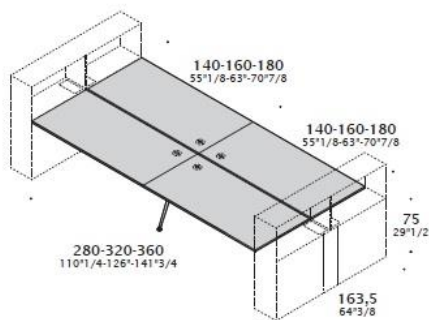
W 140 - 160 - 180 + 30
 Available with D 80 - H 75

2 seats BENCH

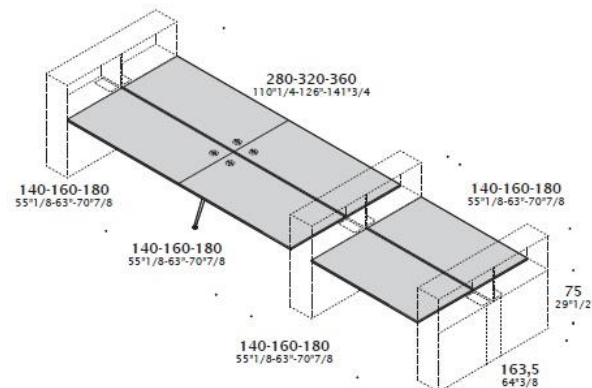


W 140 - 160 - 180 + 30
 Available with D 163,5 - H 75

4 seats BENCH



W 280 - 320 - 360 + 30 + 30
 Available with D 163,5 - H 75



W 420 - 480 - 540 + 30 + 30 + 30
 Available with D 163,5 - H 75

JOINT - FINISHES

Tops:

G90 Melamine: UE White, Silver, Titanio, Delavè, Comfort, Magnolia, Oak 2017, Eucalyptus, White Colour Fir.

G90 Laminate: White Snow.

Ergo Laminate: White Snow, White Fenix.

Structures: Glossy White Snow, matt Titanio, Chromed.

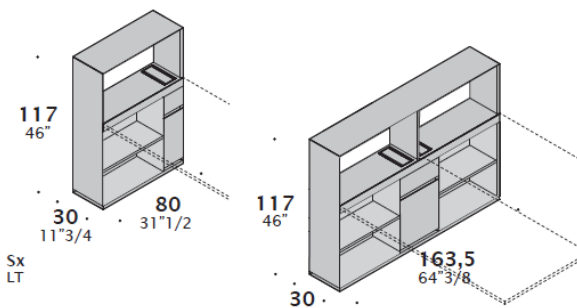
Screen panels: Smart Office - Fabric cat. B, F, G, L

Storage units:

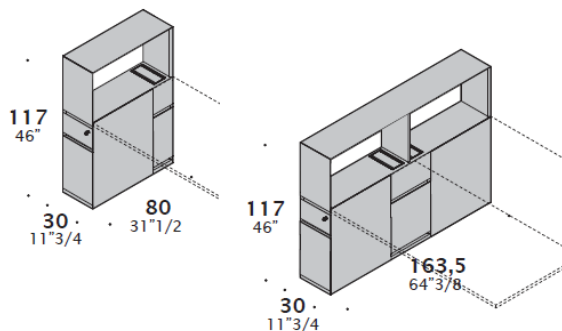
Melamine: UE White, Silver, Titanio Delavè, Comfort, White Snow, Mangolia, Oak 2017, Eucalyptus, White Colour Fir.

Sablè lacquered, available in different sample collection colours.

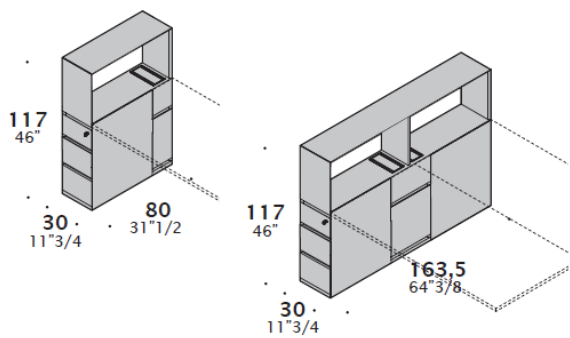
Bases



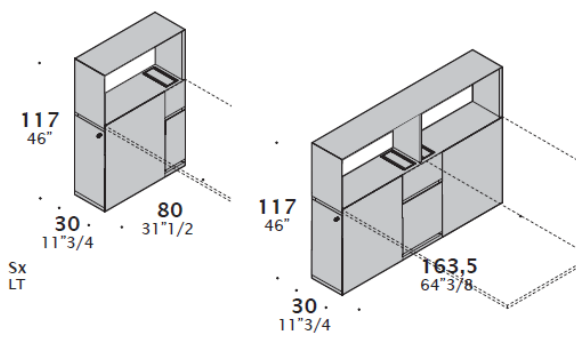
Open front compartment + technical compartment.



1 drawer + 1 drawer cabinet + technical compartment.

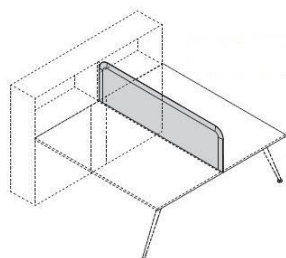


3 drawers + technical compartment.



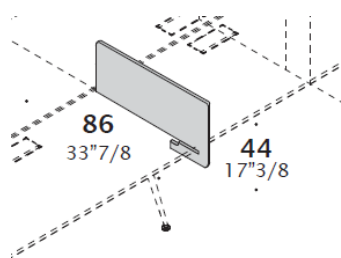
Hinged door + technical compartment.

Screen panels in fabric

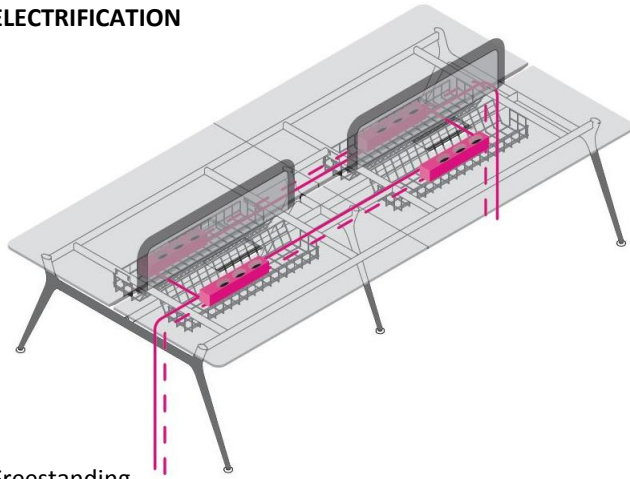


H 31 (12"1/4)
H 45 (17"3/4)

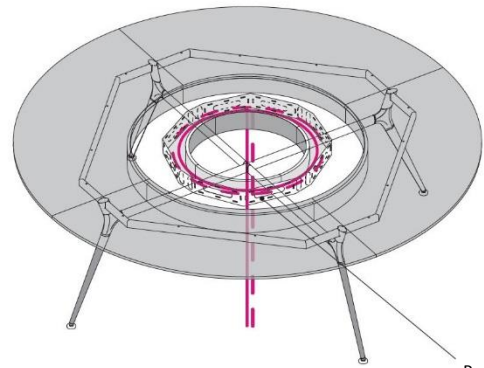
Side panel with hook



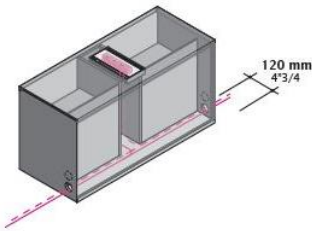
ELECTRIFICATION



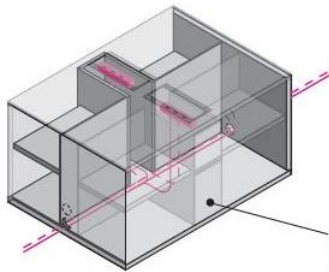
Freestanding



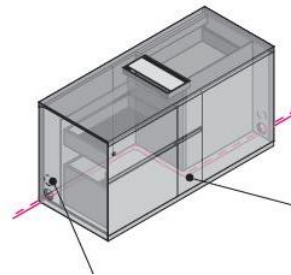
Perforated metal sheet



Frattale
Cartesio

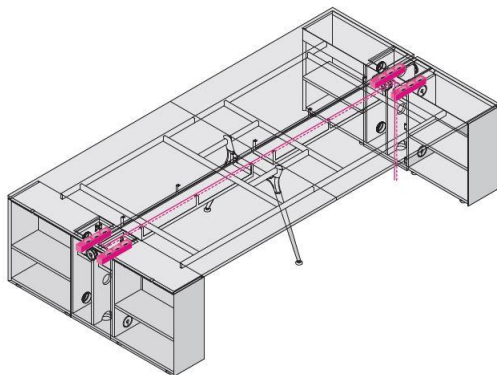


Central compartment,
that can be opened

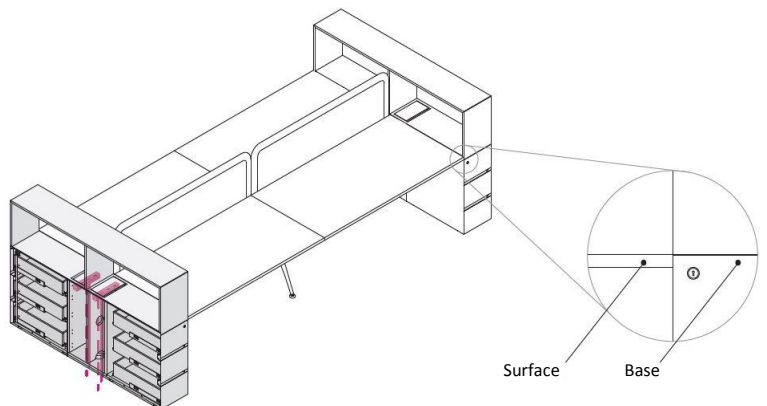


Additional hole, on request

Central compartment,
that can be opened



Top Fly



Surface

Base

Joint